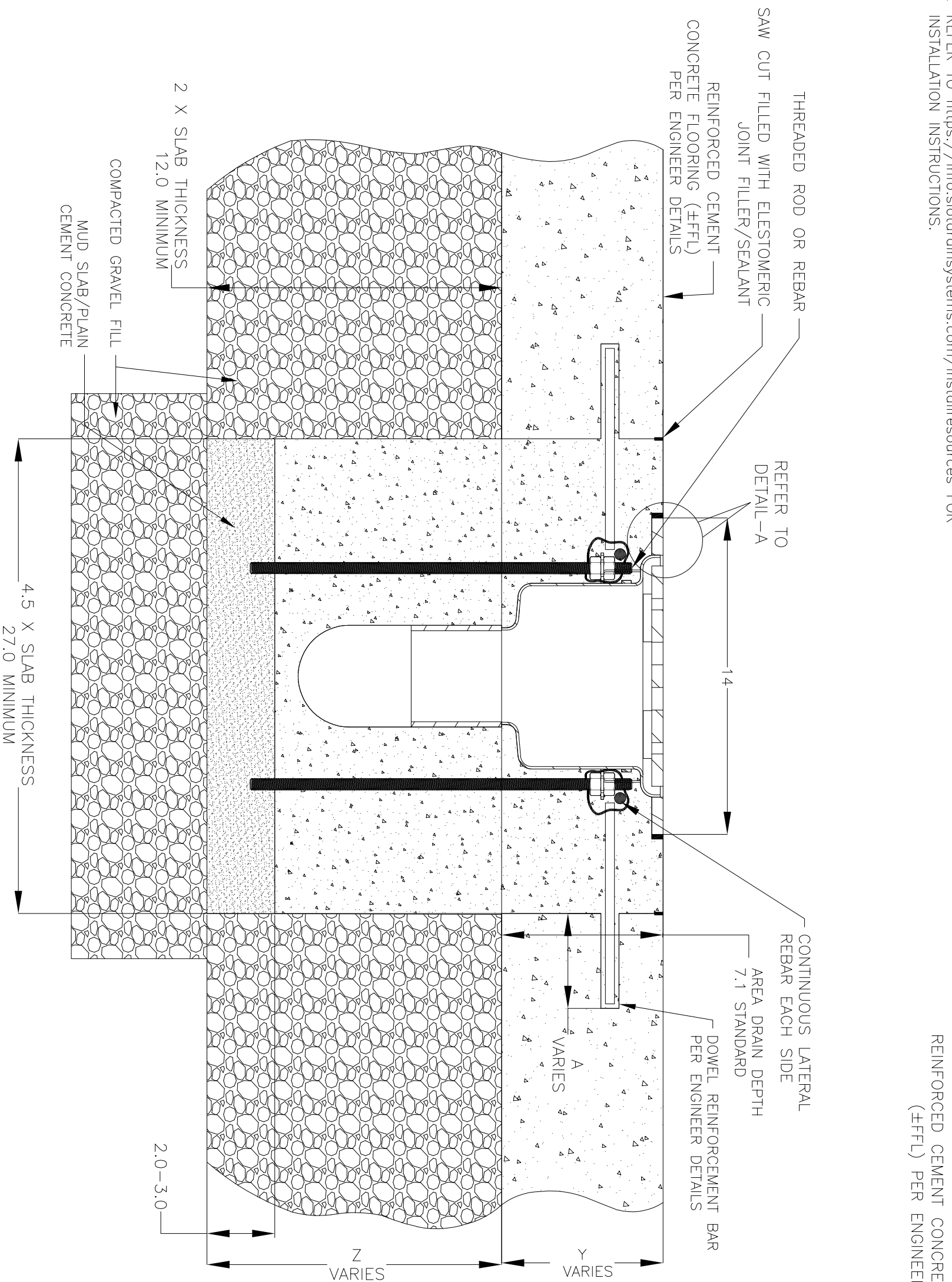
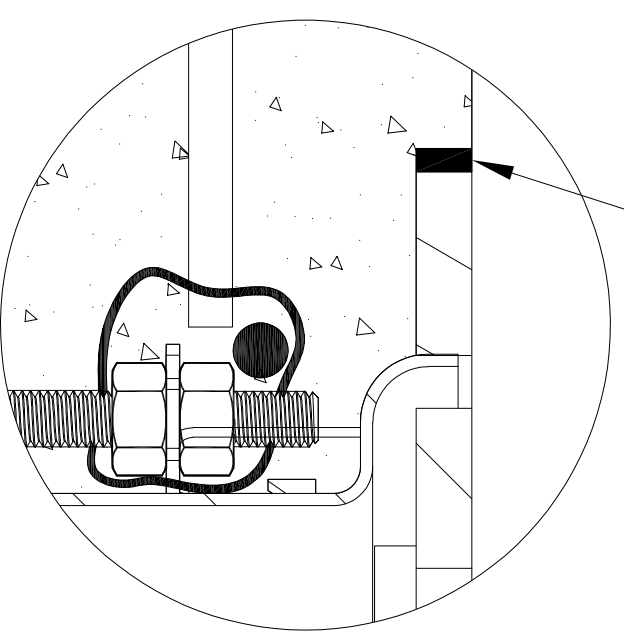
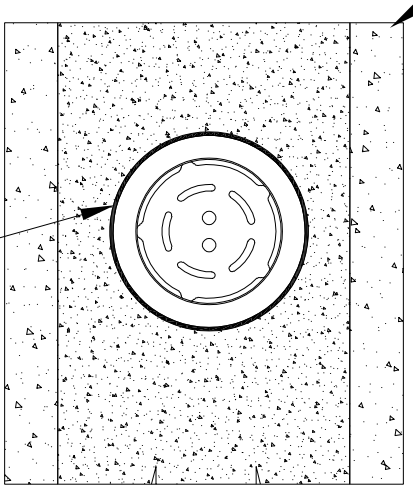


NOTES: UNLESS OTHERWISE SPECIFIED

1. ALL DIMENSIONS ARE IN INCHES.
2. AREA DRAIN BODY MATERIAL: 12GA STAINLESS STEEL T316
3. SPECIFYING ENGINEER IS RESPONSIBLE FOR CONCRETE ENCASUREMENT AND REINFORCING BASED UPON APPLICATION AND LOCAL CODES.
4. REFER TO <https://info.slotdrainsystems.com/installresources> FOR INSTALLATION INSTRUCTIONS.



REINFORCED CEMENT CONCRETE FLOOR  
(±FFL) PER ENGINEER DETAILS



FOOD SAFE ROUND AREA DRAIN INSTALLATION DETAILS

ALL DRAWINGS ARE THE EXCLUSIVE PROPERTY OF SLOT DRAIN SYSTEMS. ANY REPRODUCTION IN PART OR IN WHOLE IS PROHIBITED WITHOUT PROPER CONSENT.

**SLOT DRAIN SYSTEMS**  
855.497.7508  
info@slotdrainsystems.com  
www.slotdrainsystems.com

DRAWING TITLE		CONCRETE FLOOR-RETROFIT INSTALLATION	
DRAIN SERIES		FOOD SAFE ROUND AREA DRAIN	
DWG NO.	IN-FSADR-101-R1	SIZE	B
SCALE	NTS	SHEET	1 OF 1
REV.	1	REV.	1

REVISIONS		DATE	BY
REV	DESCRIPTION	DATE	BY
0	INITIAL RELEASE - RO	4/15/2020	DK
1	UPDATED DRAWING LAYOUT & REBAR DETAILS	7/14/2021	DK